

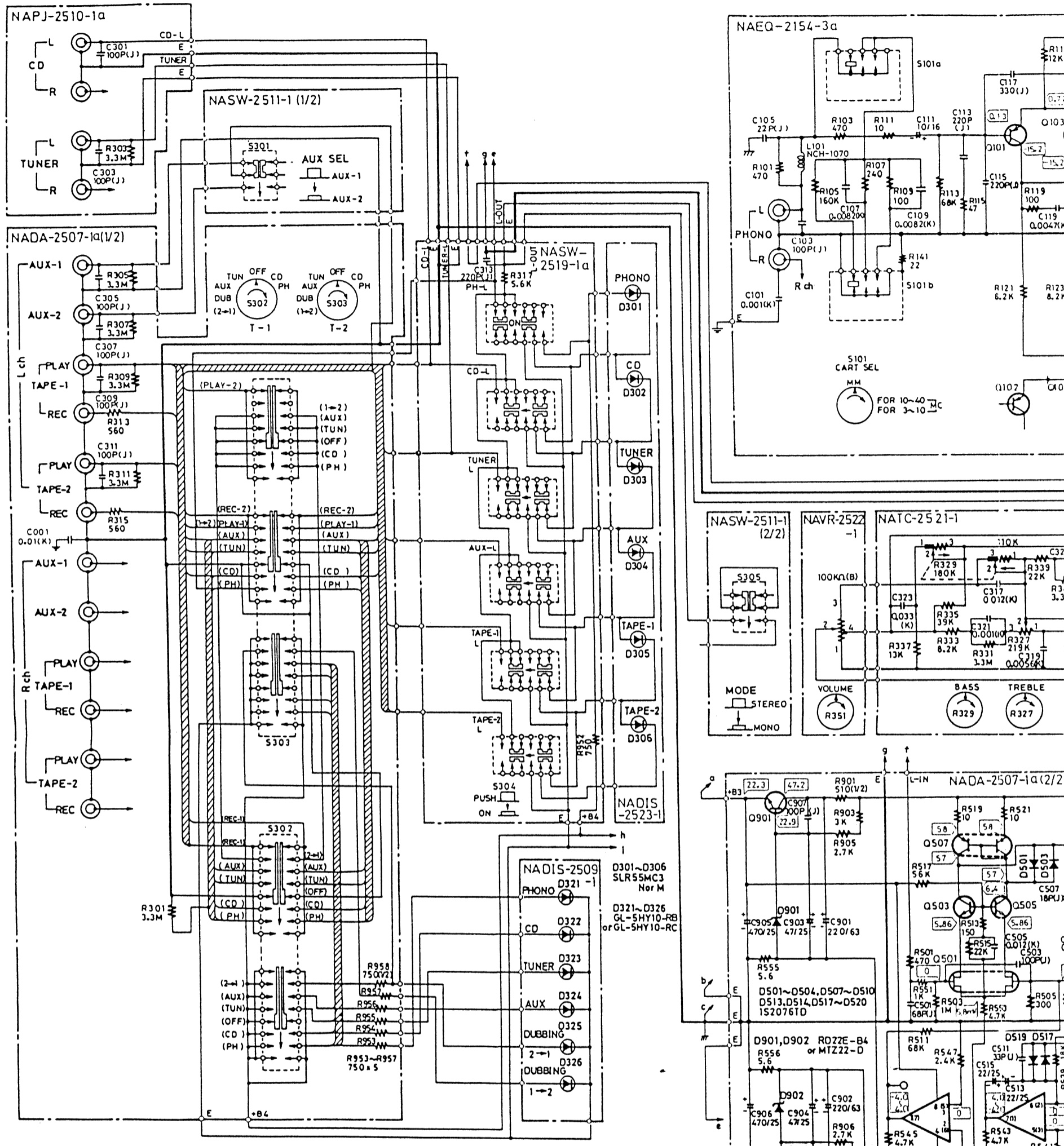
ONKYO

A8290

MODEL

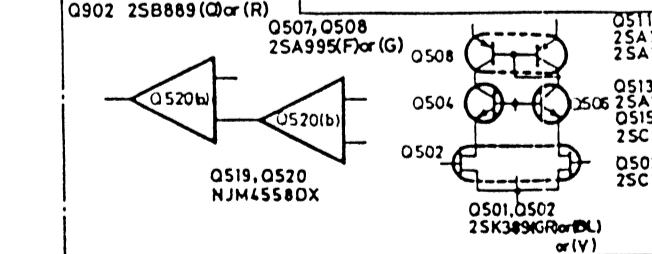
SERVICE MANUAL

SCHEMATIC DIAGRAM (220V Model)

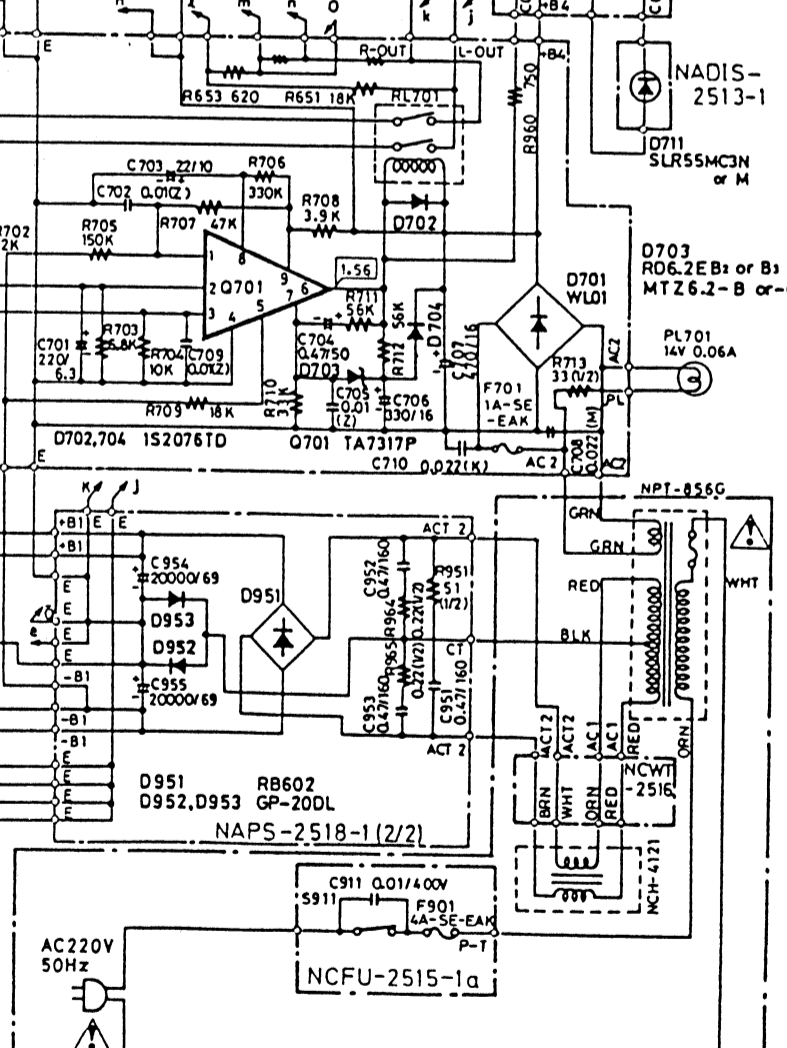
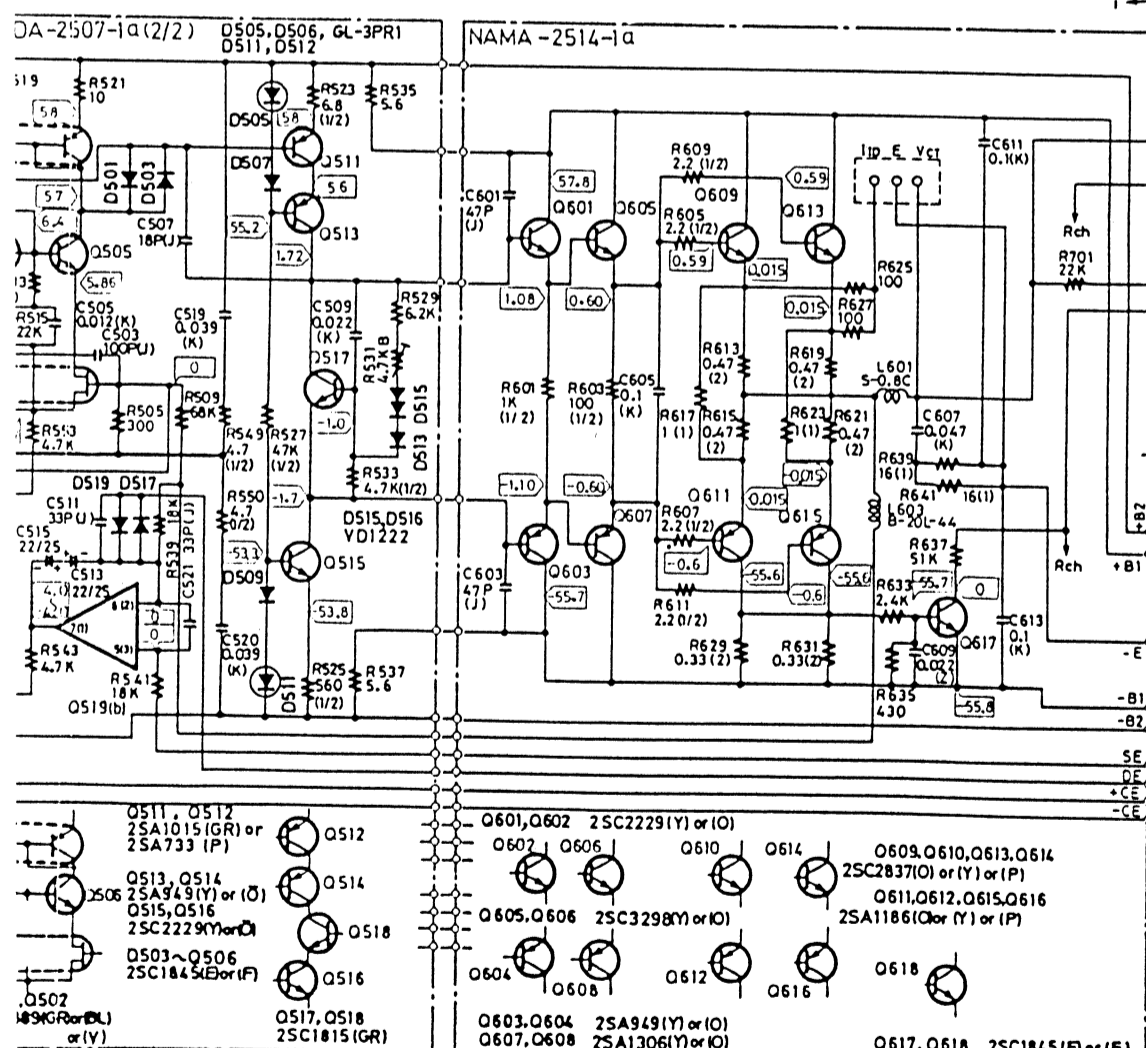
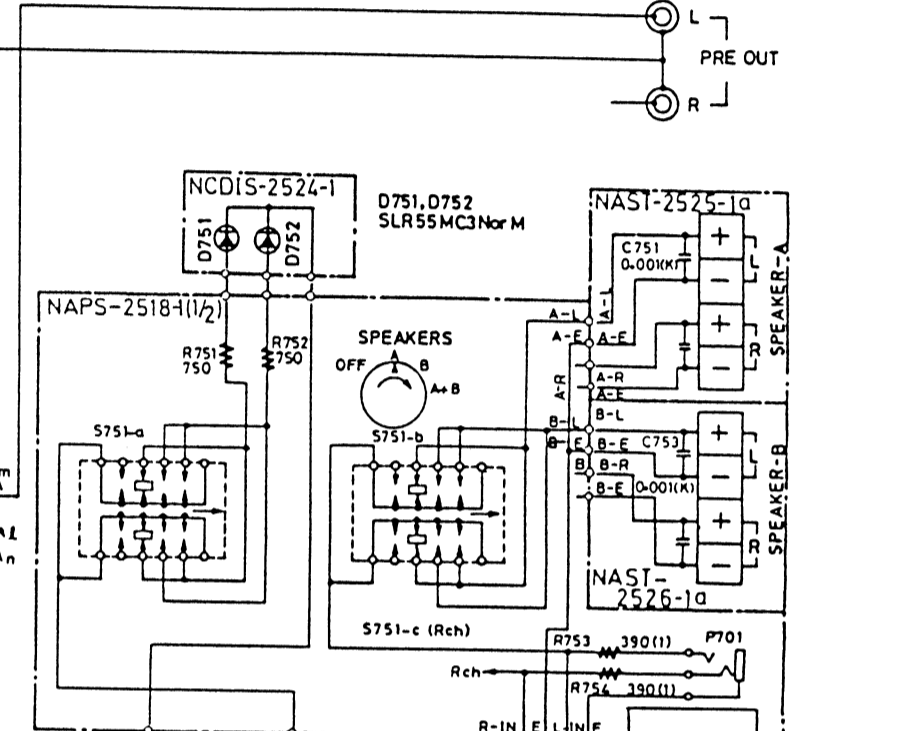
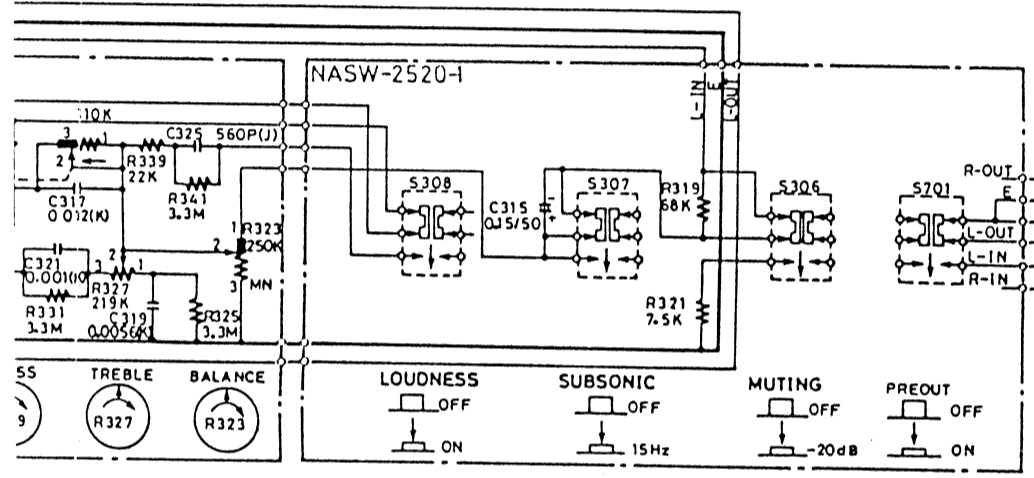
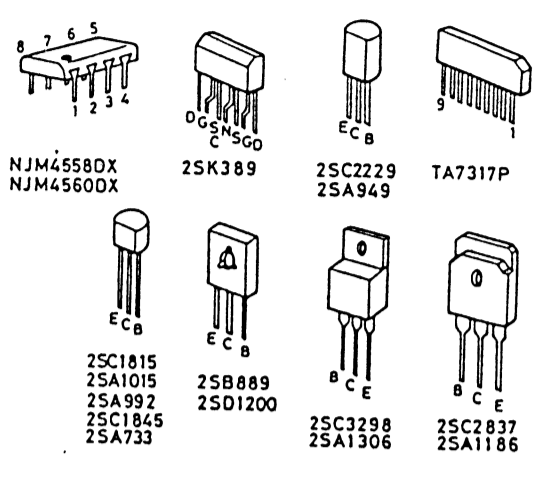
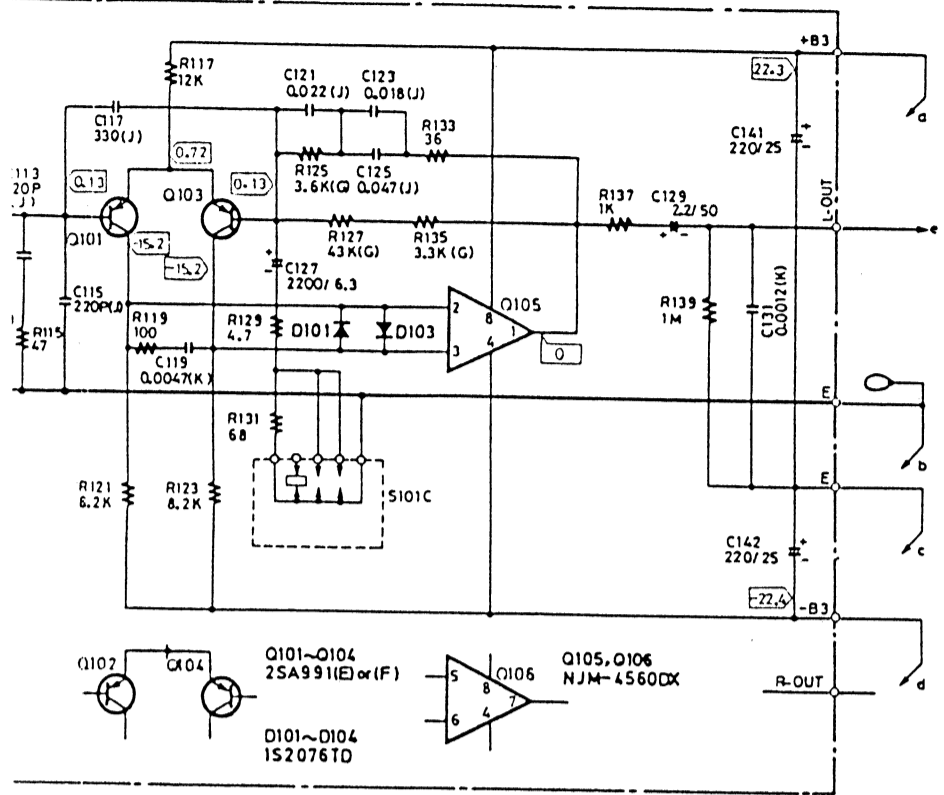


- NOTES:**
- ALL RESISTORS ARE IN OHMS, 1/4 WATT UNLESS OTHERWISE NOTED.
 - ALL CAPACITORS ARE IN μ F, 50V UNLESS OTHERWISE NOTED.
 - ELECTROLYTIC CAPACITORS (E) ARE IN μ F/WV.
 - VOLTAGE (MEASURED WITH V.T.V.M.) (NO INPUT SIGNAL).
 - CIRCUIT IS SUBJECT TO CHANGE FOR IMPROVEMENT.
 - THE COMPONENTS IDENTIFIED BY MARK Δ ARE CRITICAL FOR SAFETY. REPLACE ONLY WITH PART NUMBER SPECIFIED.

C	D	G	J	K	M	Z
$\pm 0.25\%$	$\pm 0.5\%$	$\pm 2\%$	$\pm 5\%$	$\pm 10\%$	$\pm 20\%$	$+80\%$ -20%



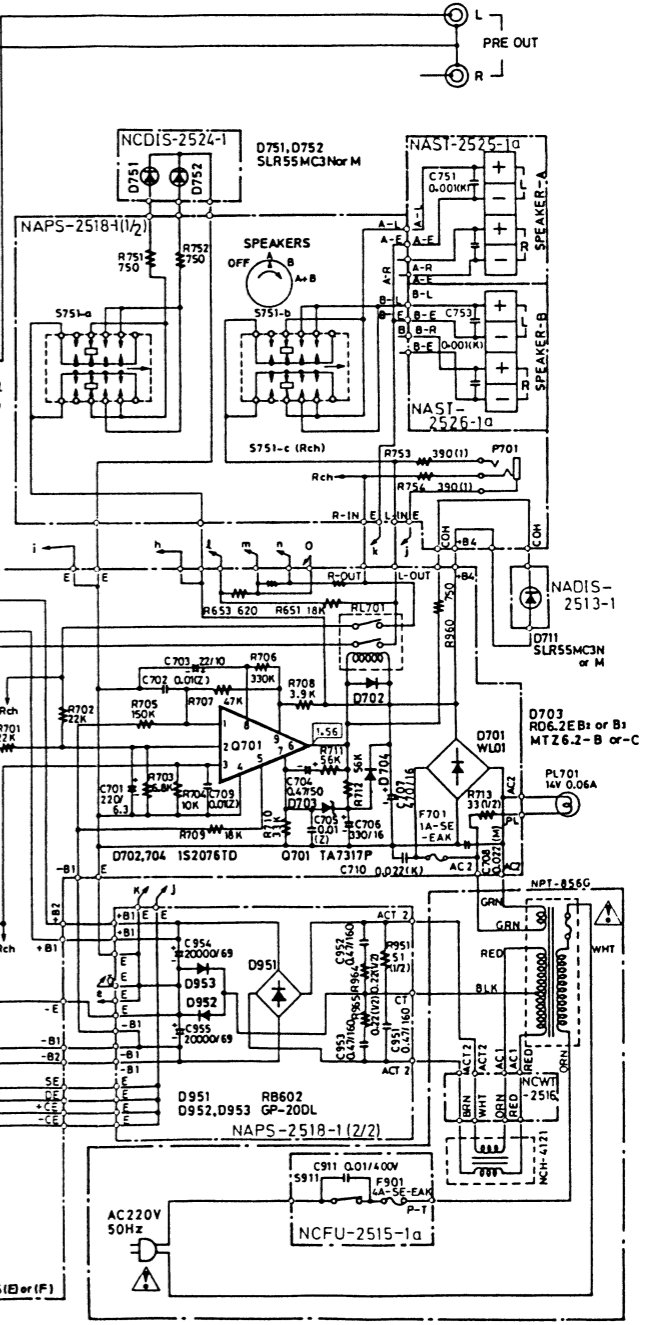
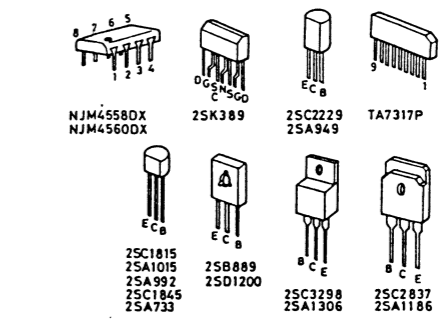
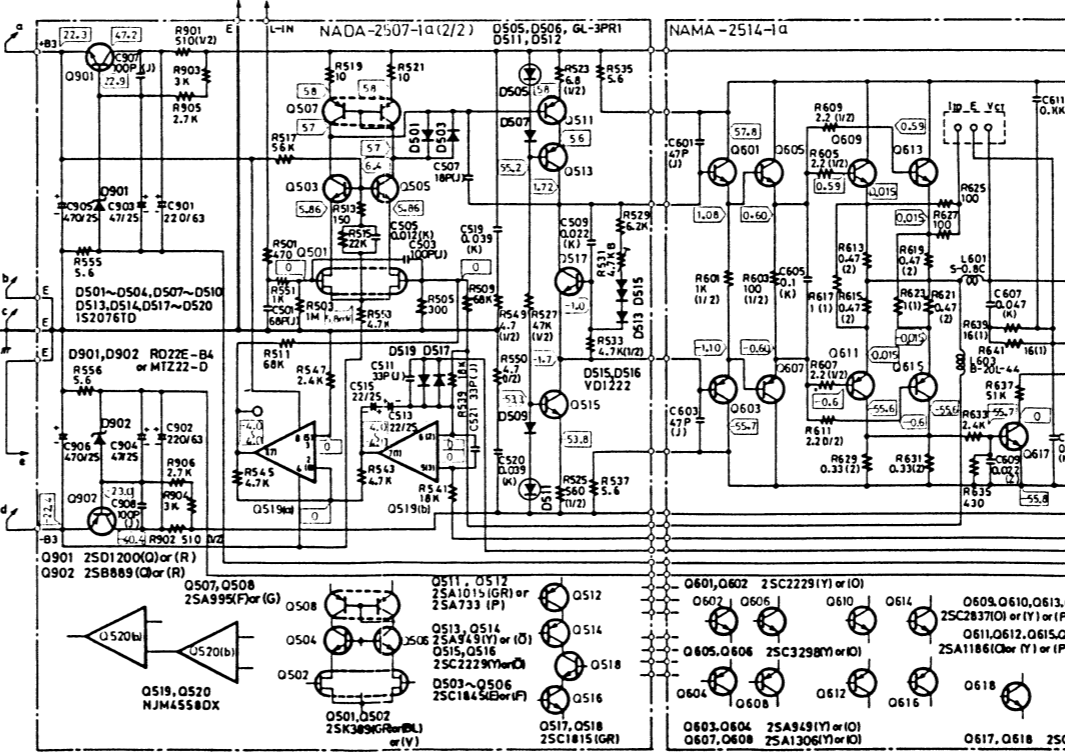
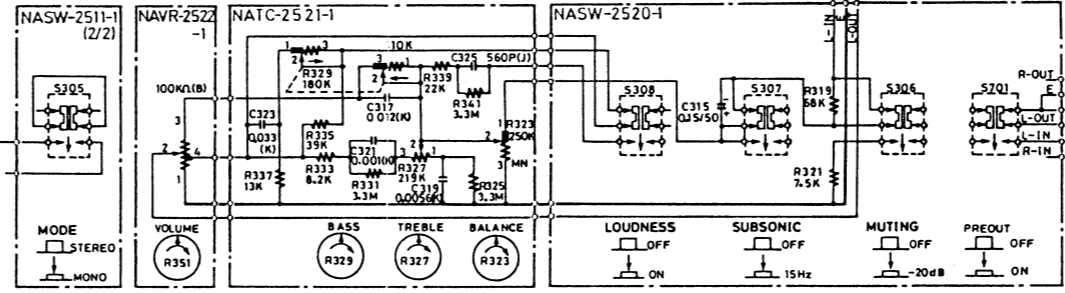
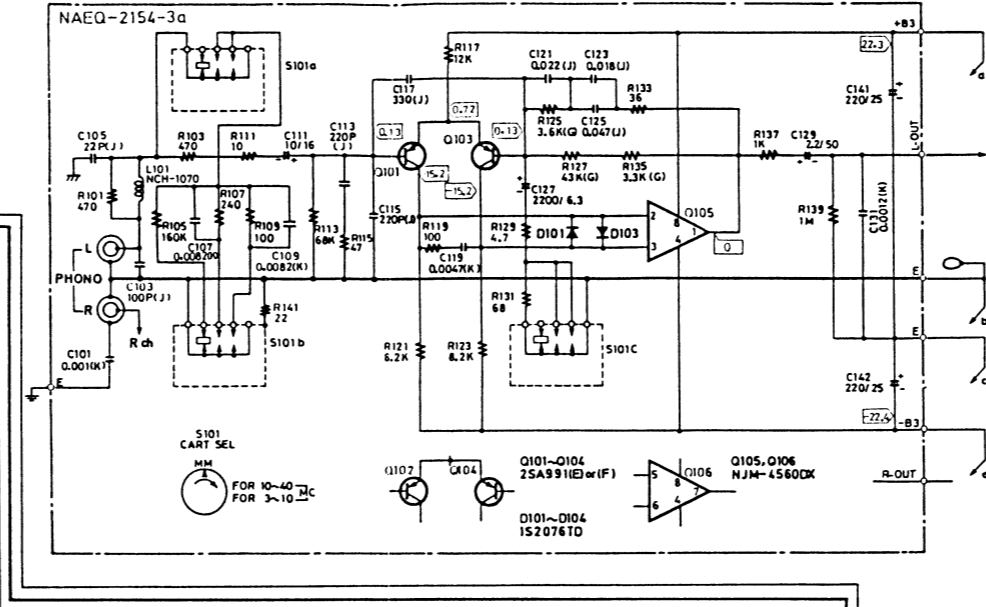
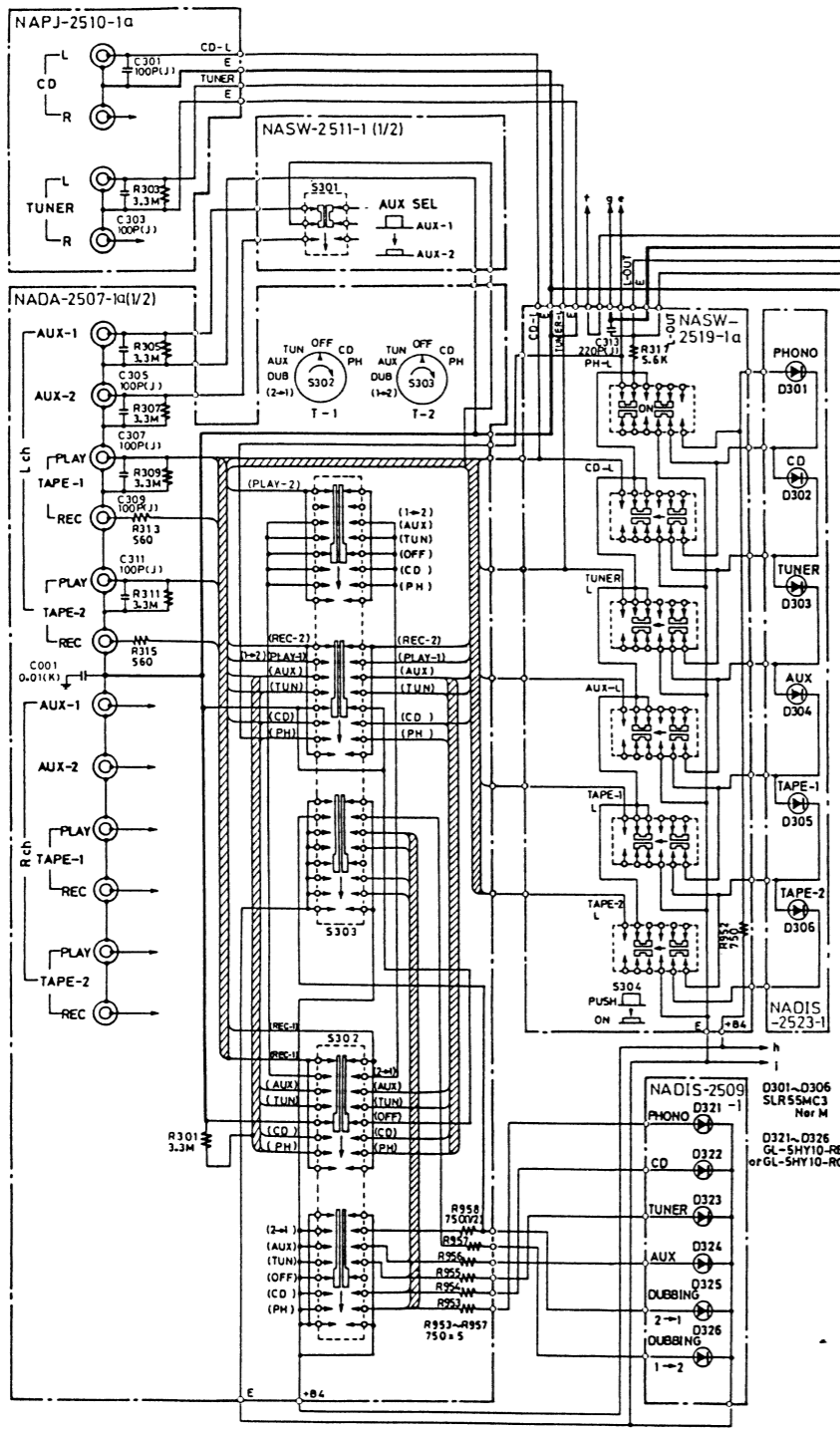
1
2
3
4
5



ONKYO CORPORATION

SCHEMATIC DIAGRAM (220V Model)

1
2
3
4
5



NOTES:
 *ALL RESISTORS ARE IN OHMS, 1/4 WATT UNLESS OTHERWISE NOTED.
 *ALL CAPACITORS ARE IN μ F. 50VW UNLESS OTHERWISE NOTED.
 *ELECTROLYTIC CAPACITORS (E) ARE IN μ F/WV.
 *VOLTAGE IS MEASURED WITH V.T.Y.M.J (NO INPUT SIGNAL).
 *CIRCUIT IS SUBJECT TO CHANGE FOR IMPROVEMENT.
 *THE COMPONENTS IDENTIFIED BY MARK Δ ARE CRITICAL FOR SAFETY. REPLACE ONLY WITH PART NUMBER SPECIFIED.

C	D	G	J	K	M	Z
20,25PF	20,5PF	2.2%	25%	$\pm 10\%$	220	$\pm 80\%$